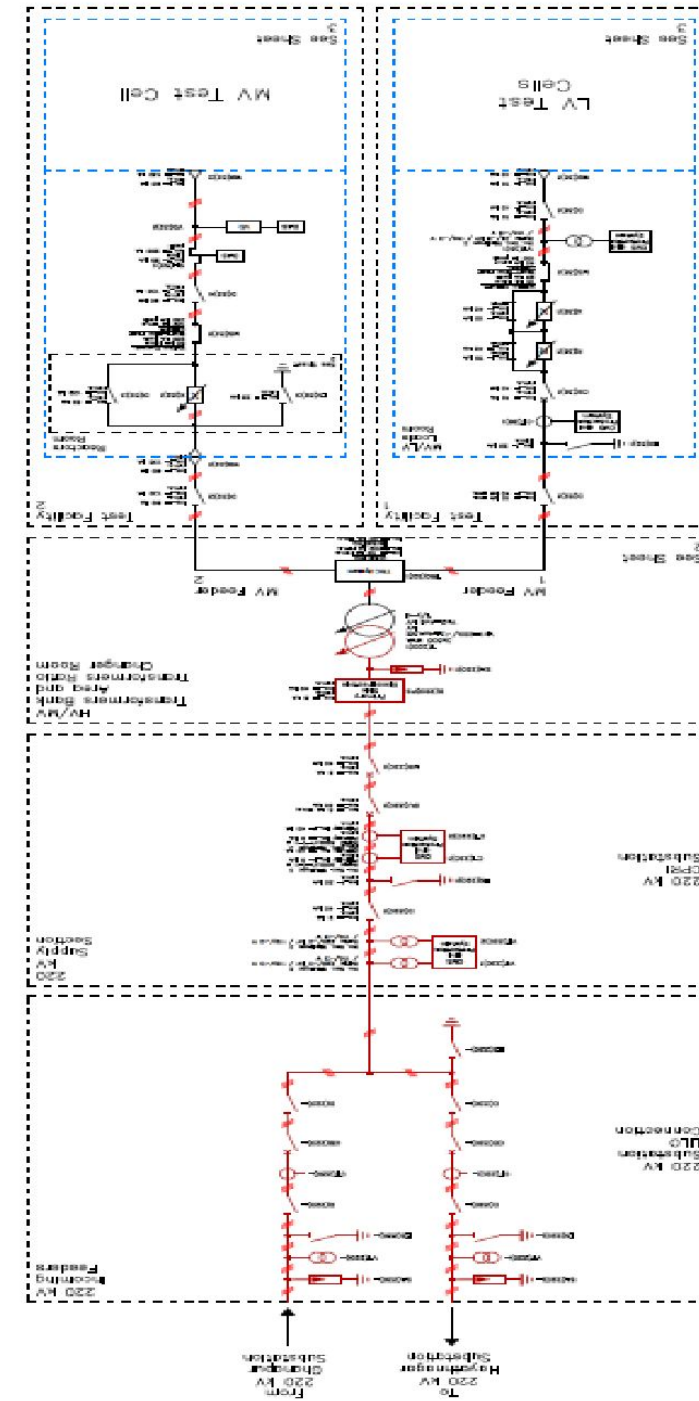
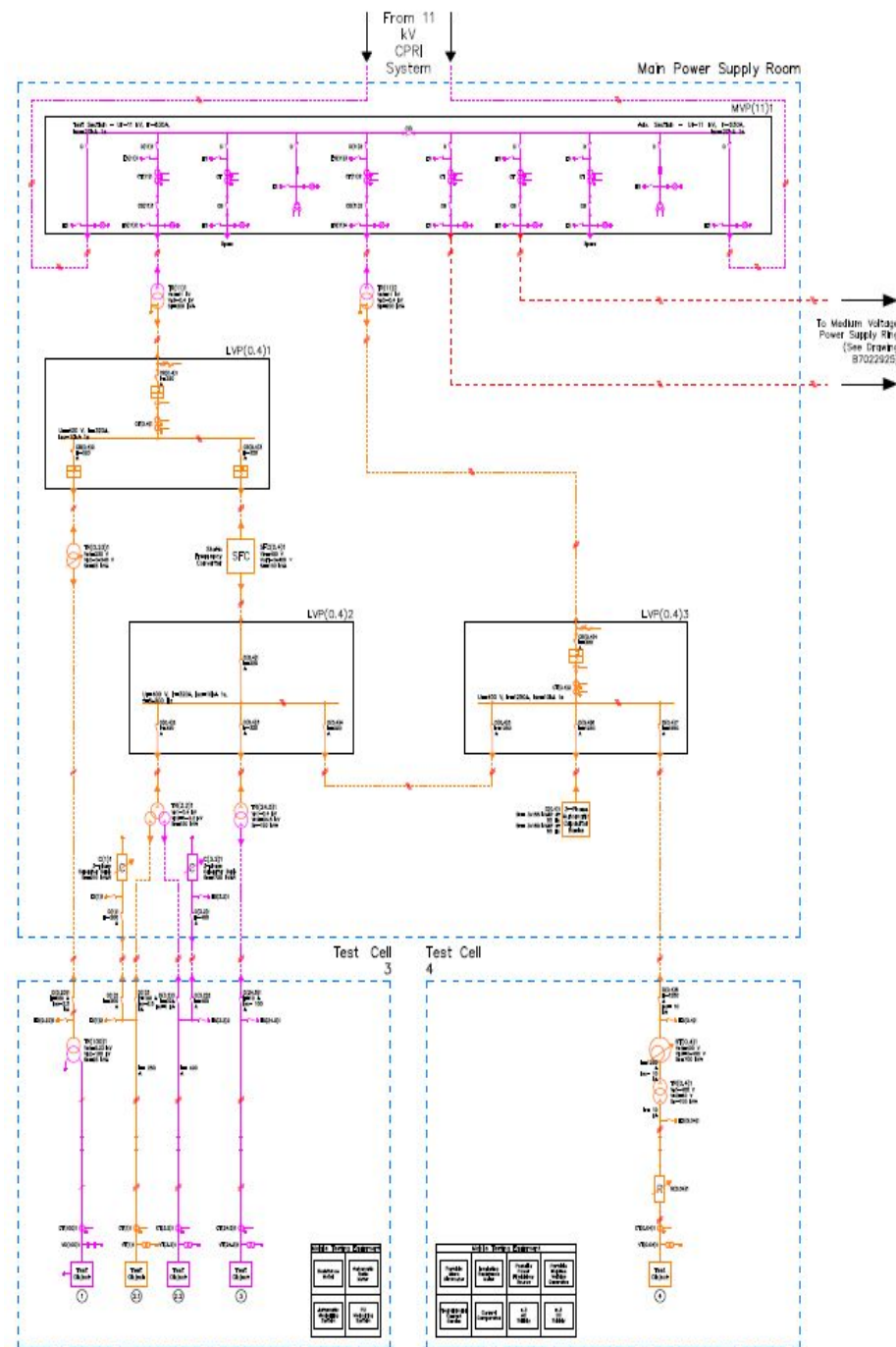


CPRI, Hyderabad, India	Establishment of a new On line Testing Laboratory at Hyderabad		2017 in progress	*
Testing Facilities and maximum ratings of equipment to be tested				
<ul style="list-style-type: none"> ● The Medium Voltage Power Laboratory able to test: <ul style="list-style-type: none"> ○ LV circuit-breakers and LV assemblies with rated voltage up to 726 V and rated short-circuit current up to 250 kA; ○ MV Metal enclosed switchgear and controlgear with rated voltage up to 33 kV and rated short-circuit current up to 40 kA; ○ Disconnectors and Current Transformers with rated voltage up to 420 kV and rated short-circuit current up to 63 kA; ○ Power Transformers up to 16 MVA rated power, 33 kV class; ● Test Facility for Power Transformers for dielectric tests on Power Transformers 33 kV class; ● Temperature rise Facility able to test equipment with rated current up to 10 kA; ● Supplementary Facility for mechanical tests on LV and MV circuit-breakers, accuracy test on current transformers, dielectric tests on auxiliary of circuit-breakers. 				
Tasks performed: for each of the testing facility the following tasks have been performed:				
<ul style="list-style-type: none"> <li style="width: 50%;">● Assessment of testing requirements, <li style="width: 50%;">● Assessment of testing requirements, <li style="width: 50%;">● Basic design, <li style="width: 50%;">● Basic design, <li style="width: 50%;">● Detailed design including the Technical Specifications below listed, <li style="width: 50%;">● Detailed design including the <u>Technical Specifications below listed</u>. 				
<p><u>Medium Voltage Power Laboratory</u></p> <ul style="list-style-type: none"> ● HV/MV Short-circuit Transformers, ● MV/LV Short-circuit Transformer, ● MV Current Limiting Reactor and Resistor banks, ● Capacitor bank and LV Resistor bank, ● MV and LV Current Control Reactor banks. <p><u>Supplementary Facility</u></p> <ul style="list-style-type: none"> ● Current Comparator, Programmable Current Burden and Automatic Test Set used in the Current Transformers test accuracy, ● Portable Micro-ohmmeter , ● Portable Impulse Voltage Generator, Portable Power Frequency Source and Insulation Resistance Meter, ● DC and AC Power Sources used for mechanical operating tests. 		<p><u>Temperature Rise Test Facility</u></p> <ul style="list-style-type: none"> ● Static Frequency Converter, ● Step-down Transformer, Step-up Transformer and relevant Regulators, ● Capacitor Bank and Mobile Resistor Bank. <p><u>Test Facility for Power Transformers</u></p> <ul style="list-style-type: none"> ● Power Frequency Source and Regulator Transformer used for Applied voltage tests, ● Coupling Capacitor and Partial Discharge Detector, ● Automatic measuring system used in Temperature rise, Induced voltage tests, short-circuit impedance, load loss, no-load loss and no-load current tests, ● Automatic Ratio Meter used for the Measurement of voltage ratio and check of phase displacement. 		



* Developed in cooperation with CESI